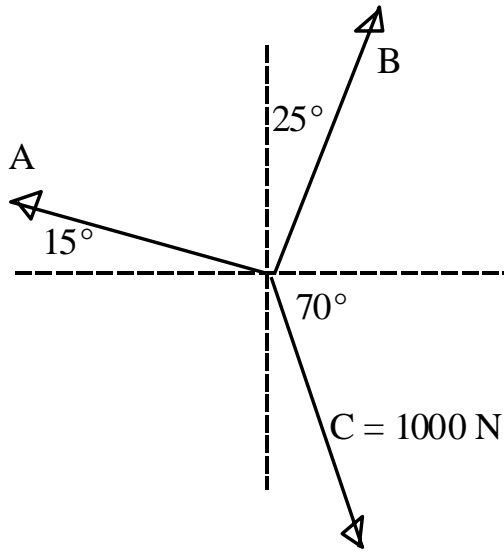
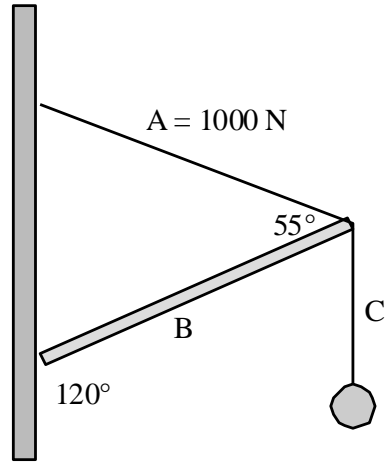


Find all the forces acting in the problems below

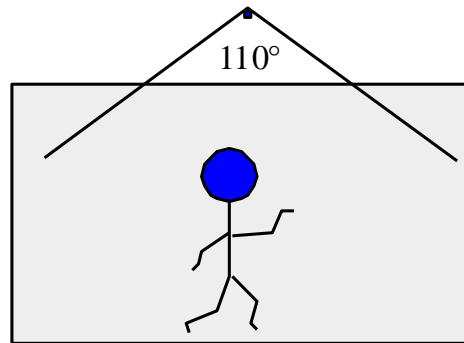
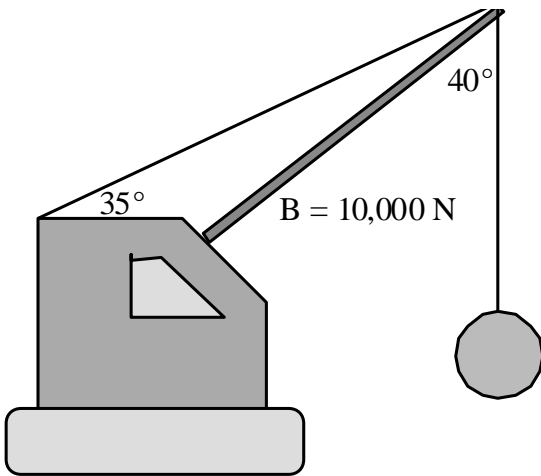
1.



2.

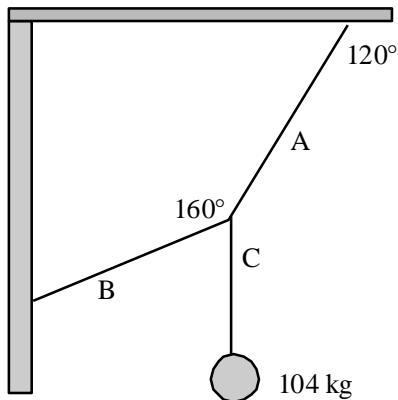


3.



4. If the portrait of "Stickman" has a mass of  $25.0\text{ kg}$ , find in the supporting cable.

5.



6. If the mass of the ball is  $510\text{ kg}$ , find all the forces.

